

KNIGHTS HELM HEAD PIECE: FOAM BUILDING INSTRUCTIONS



C O S P L A Y

SUPPLY LIST

1. Knight's Helmet Pattern
2. Wood Burning Tool
3. 6mm EVA Foam
4. Scissors
5. Craft Knife
6. Contact Cement
7. Permanent Marker
8. Super Glue
9. Foam Bevels
10. Respirator (recommended)

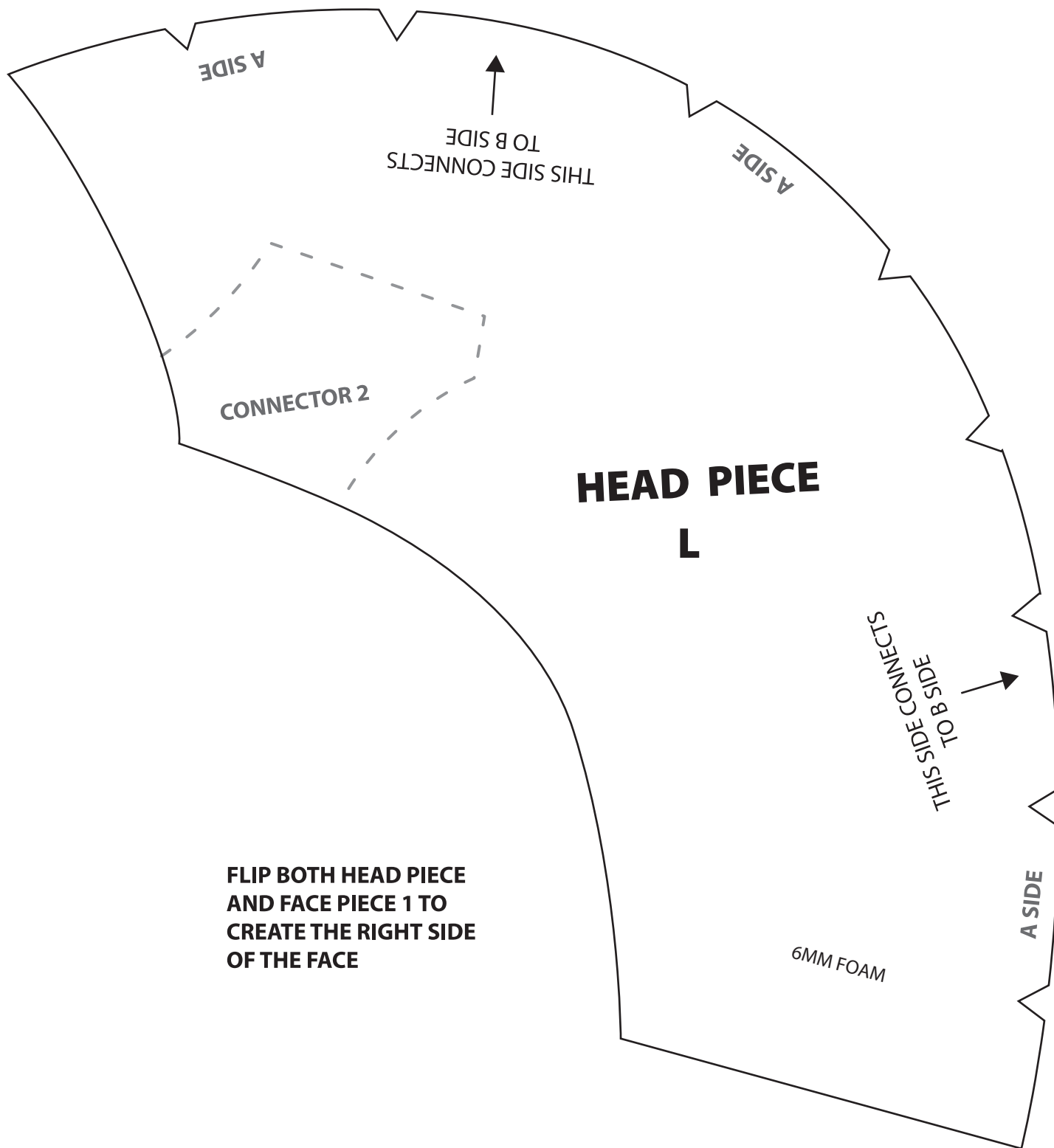
INSTRUCTIONS: Assembly

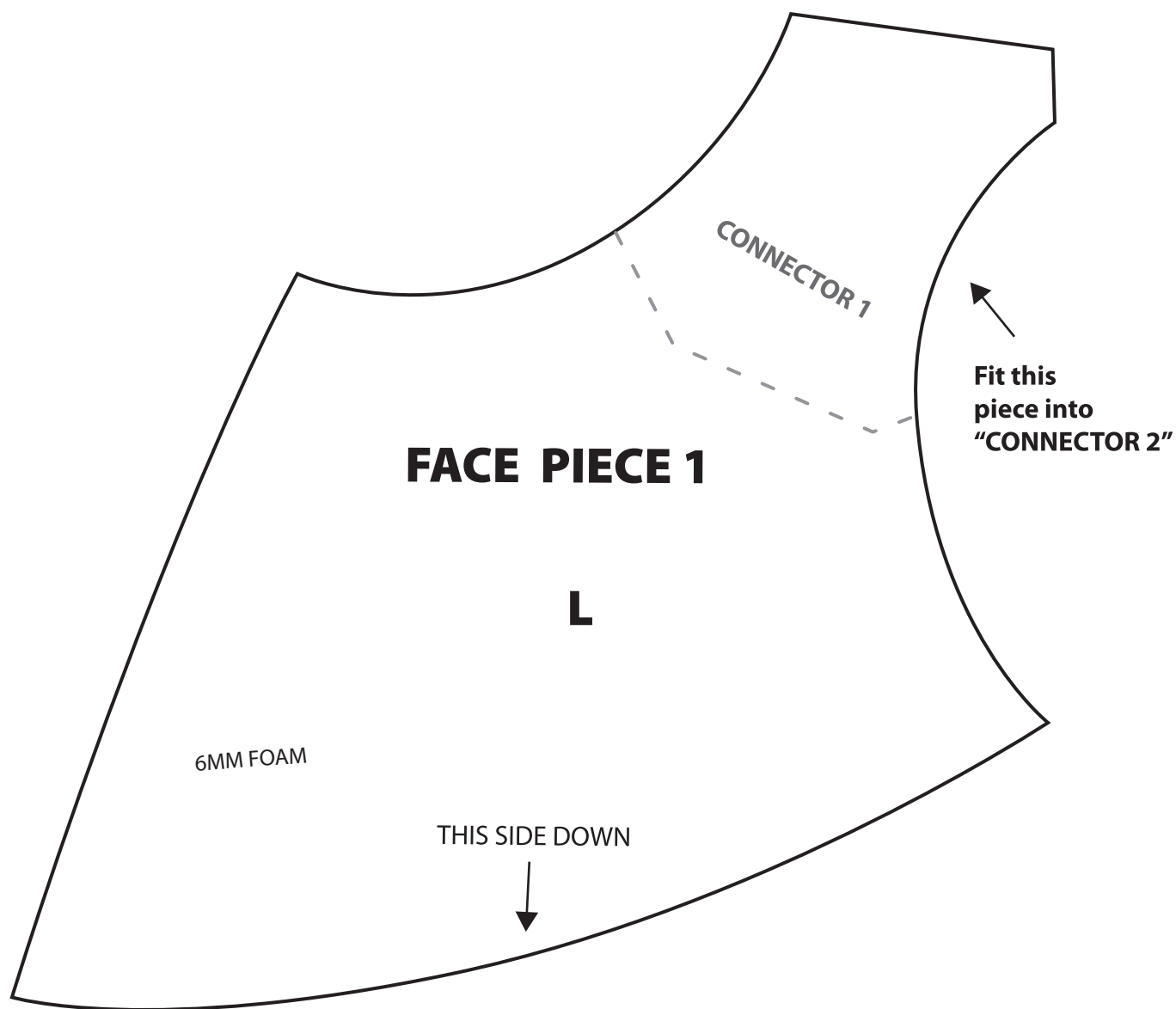
1. Using scissors, cut out the Knight's Helmet pattern.
2. Lay the paper patterns onto 6mm EVA foam and trace with a permanent marker. Transfer any notations on the patterns onto the foam. Pay attention to any pattern pieces that need to be mirrored and trace those as well.
3. Use a craft knife to cut the shapes from the foam.
4. Following the notations on the pattern, adhere the pieces of foam together using contact cement.
5. Attach the round "chisel" shaped tip to the wood burning tool and heat the wood burning tool according to the instructions on the packaging.
6. Wearing a respirator, drag the wood burning tool vertically along the plume of the headpiece over and over to create the illusion of brush fibers. The more loosely and randomly you burn lines, the more realistic the fibers will look. See project photo for reference.
7. Allow the wood burning tool to cool, then replace the tip with the round, "target" shaped tip. Reheat the tool.
8. Still wearing a respirator, carefully touch the tip of the wood burning tool the corners of the helmet, applying an even pressure. See project photo for placement.
9. Use super glue to adhere foam bevels to the outer edges of the helmet. See project photo for bevel placement

KNIGHTS HELM HEAD PIECE: COMPONENTS
PRIMARY PIECES - 1



COSPLAY



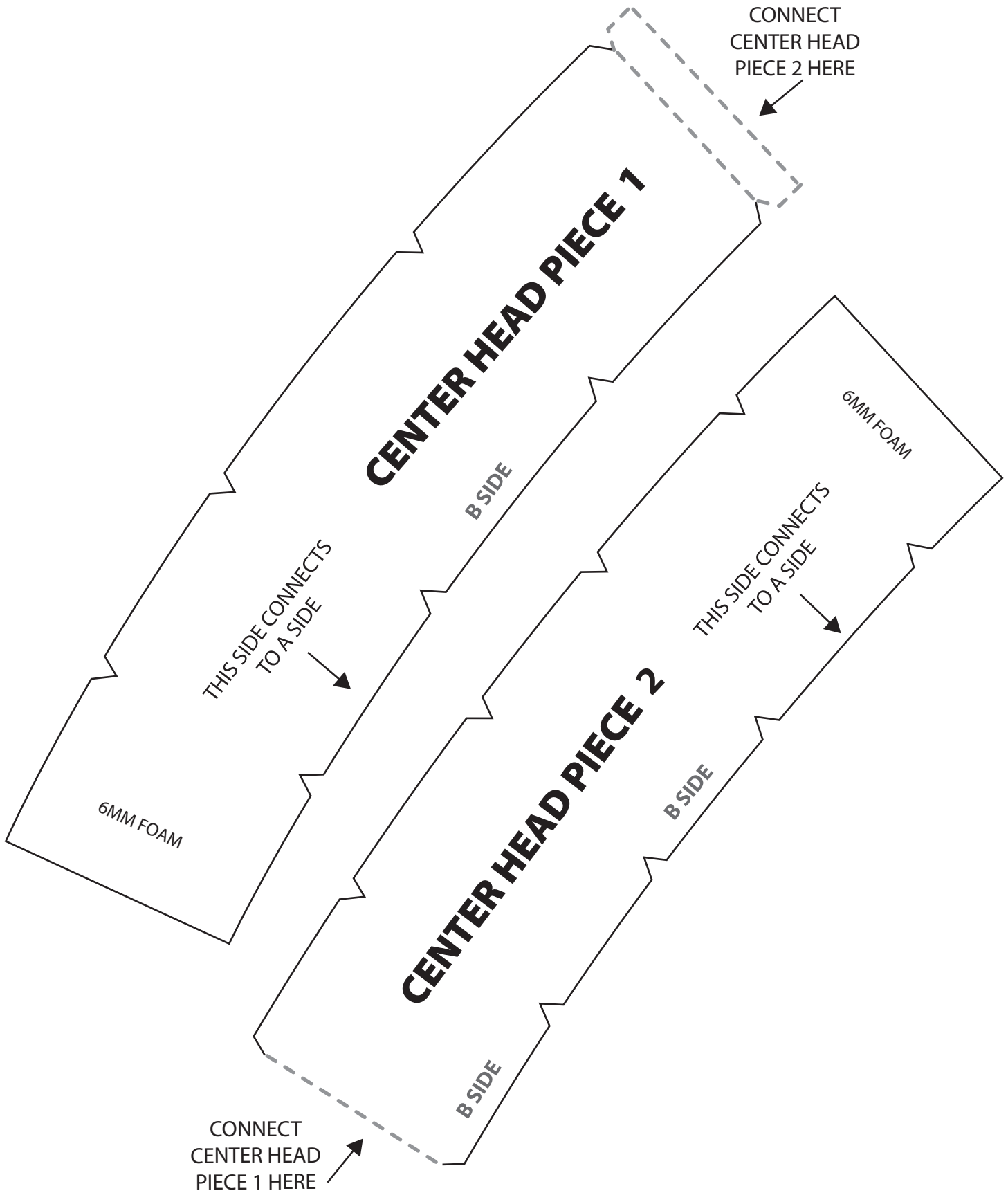


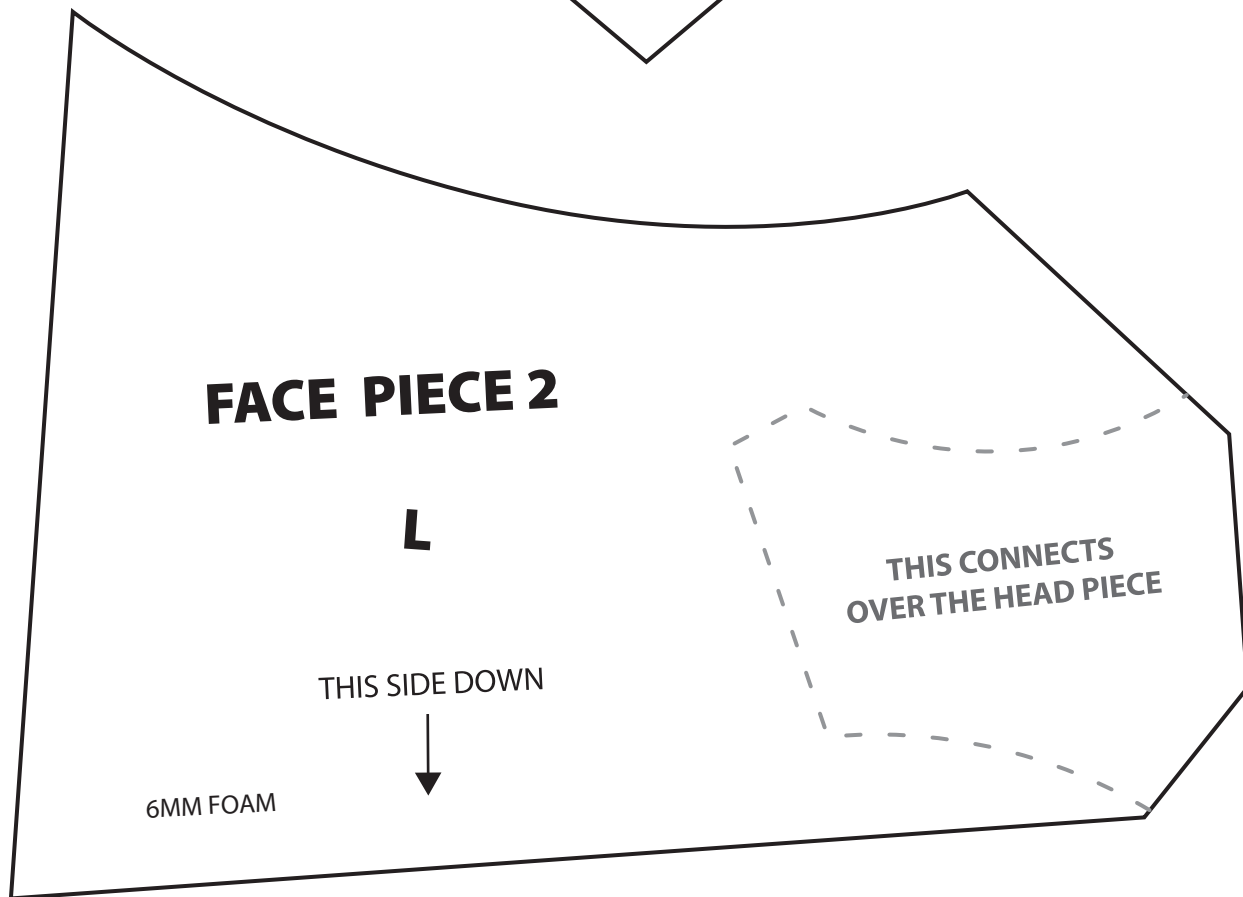
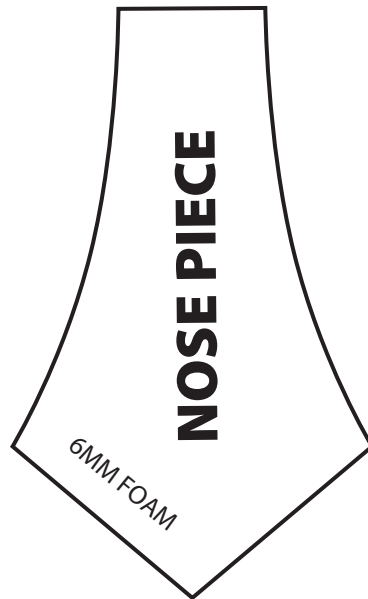
**FLIP BOTH HEAD PIECE
AND FACE PIECE 1 TO
CREATE THE RIGHT SIDE
OF THE FACE**

KNIGHTS HELM HEAD PIECE: COMPONENTS
PRIMARY PIECES - 3



C O S P L A Y





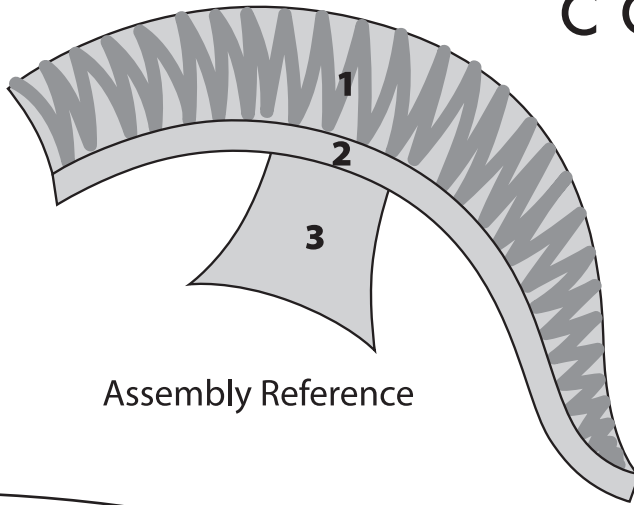
**FLIP FACE PIECE 2 TO
CREATE THE RIGHT SIDE
OF THE FACE**

KNIGHTS HELM HEAD PIECE: COMPONENTS
SECONDARY PIECES - 2: DECORATIVE PLUME

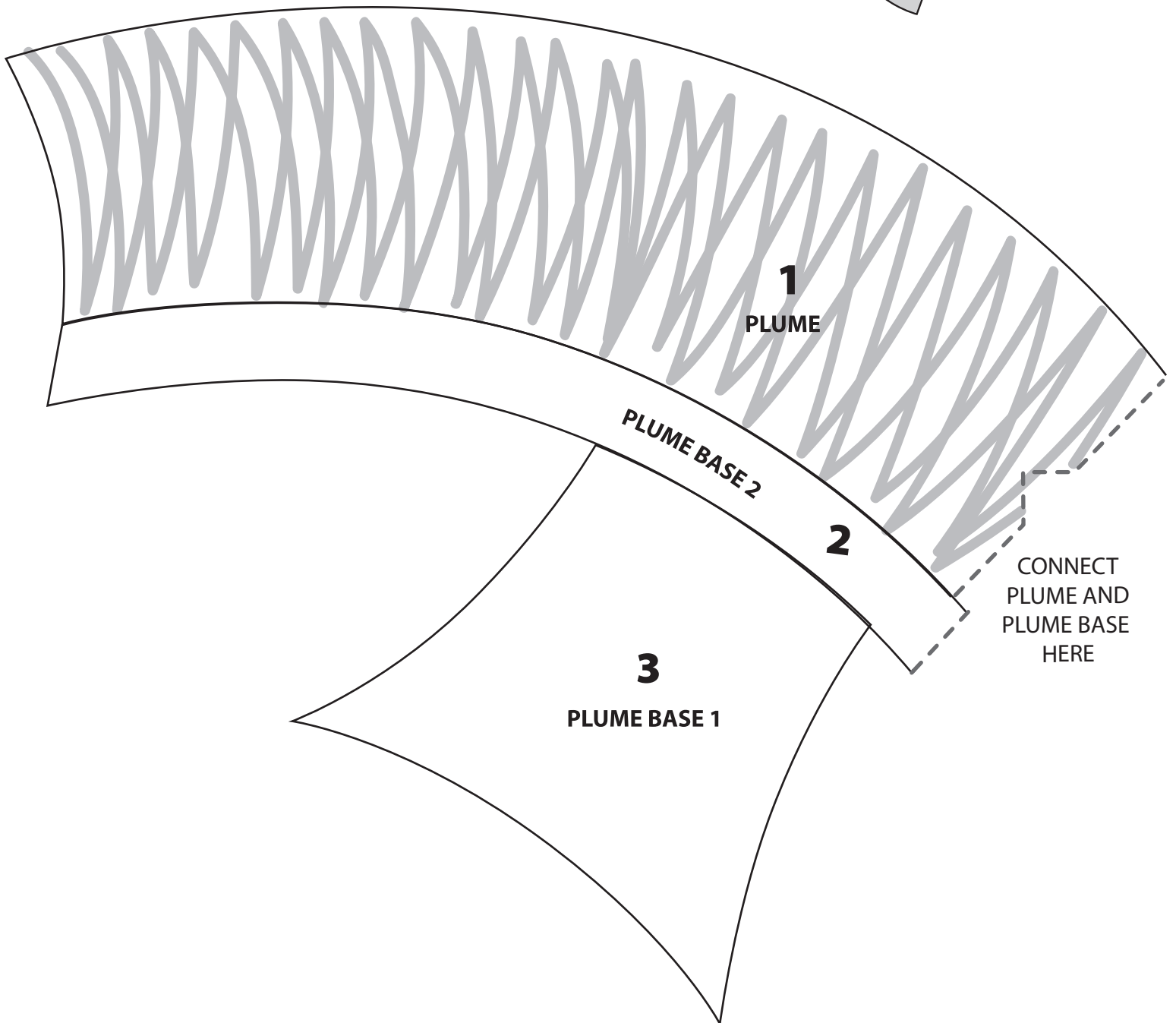


C O S P L A Y

**USE THICKER FOAM
FOR THESE PIECES**



Assembly Reference

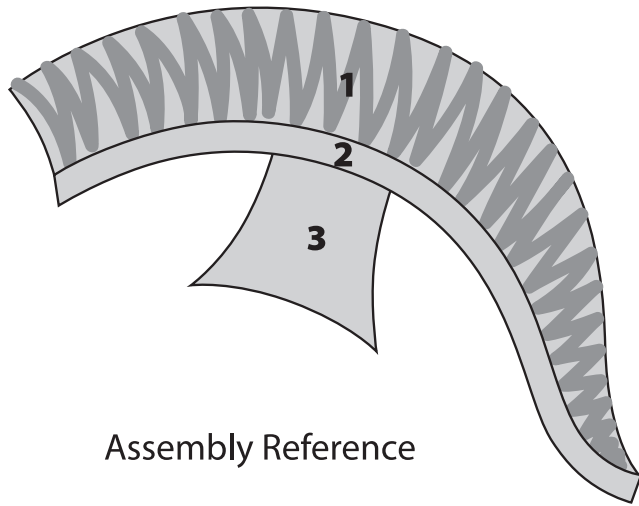


CONNECT
PLUME AND
PLUME BASE
HERE

KNIGHTS HELM HEAD PIECE: COMPONENTS
SECONDARY PIECES - 2: DECORATIVE PLUME



C O S P L A Y



Assembly Reference

CONNECT
PLUME AND
PLUME BASE
HERE

